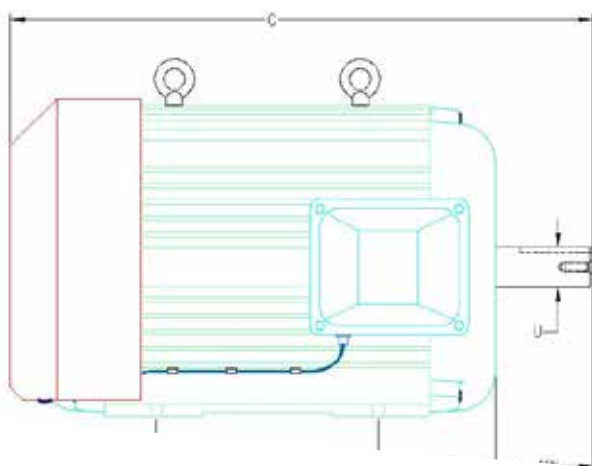


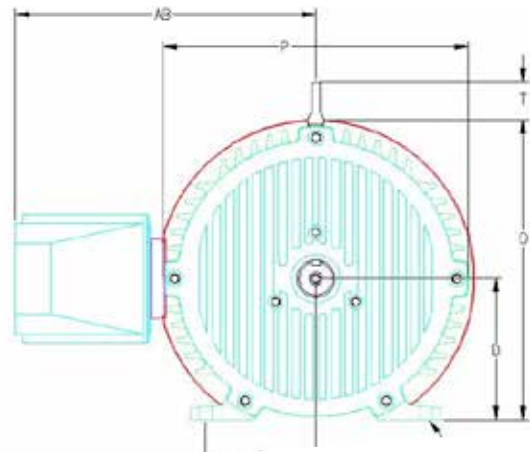
- Single-phase, 25 to 85 HP
- Unity power factor
- High power factor during start
- Starts high inertia loads
- Low starting current across-the-line
- TEFC Design
- Synchronous
- Smooth (constant torque) start
- Eliminates flicker and line sags
- Instant restart after MPIs (Momentary Power Interruptions)
- High Efficiency
- Low Harmonic input
- High starting torque per amp
- Complete unit includes control system in a separate NEMA-3R enclosure

SPECIFICATIONS:

Rating (hp)	25	40	65	85
Speed (rpm)	1500	1500	1500	1500
Voltage (nominal)	230/460	460	460	460
Frequency (Hz)	50	50	50	50
Full Load (Running) Amps	100/50	83	123	163
Full Load Torque (ft.lb.)	73	121	182	242
Locked Rotor (Starting) Amps	175/88	145	215	285
Locked Rotor (Starting) Torque	146	243	365	485
NEMA Frame Size: Iron	365T	405T	445T	449T
Wire Size	#1/0 AWG or #4 AWG	#1 AWG	#2/0 AWG	#3/0 AWG
Fuse Size	150/70 Amp	125 Amp	150 Amp	200 Amp
Efficiency %	93	94.0	95	95.5
Ambient Starting Temp. Range	Ambient Starting Temperature is 4° C to 40° C. If your application is outside this range, please contact Single Phase Power Solutions, LLC.			



ADVISORY:
Drawings for graphical purposes only.



Frame	C*	D	E	H	NW	O*	P*	R	S	T	U	AB*	BA*	ES	2E	2F*
365T	34.50	8.86	7.00	.66	6.08	18.28	19.29	2.021	.625	2.67	2.375	17.28	5.67	4.56	14.01	12.25
405T	41.22	10.00	8.00	.94	7.25	20.93	22.83	2.45	.75	3.56	2.875	21.54	6.08	5.26	16.00	13.74
445T*	47.70	11.00	9.00	.81	8.50	23.01	25.83	2.88	.875	2.67	3.375	22.24	7.50	7.33	18.00	16.50
449T	59.0	11.00	9.00	.81	10.5	23.01	25.83	3.312	1.00	2.67	3.375	22.24	7.50	7.33	18.00	25.00

* = Approx. Values